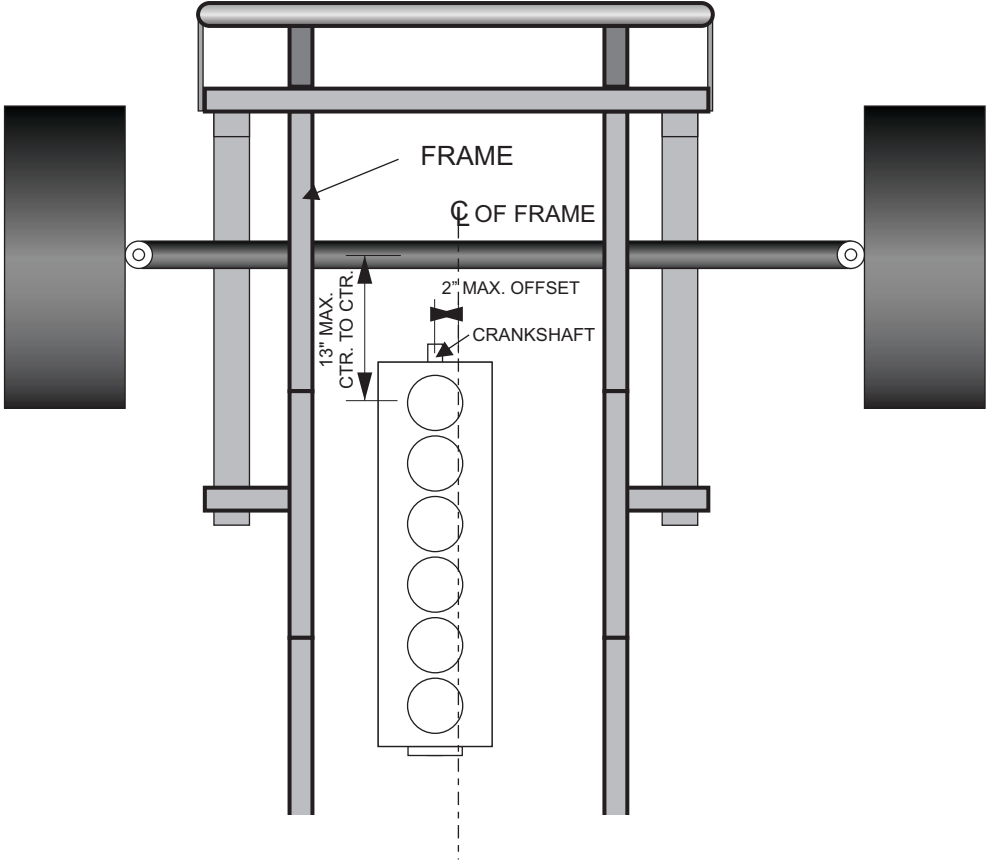


2018 ENGINE LOCATION RULES

FRONT



10 degrees MAX.

LEFT FRAME

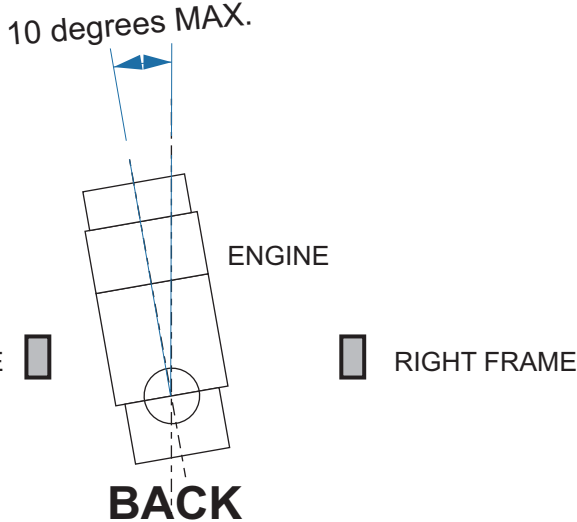


ENGINE



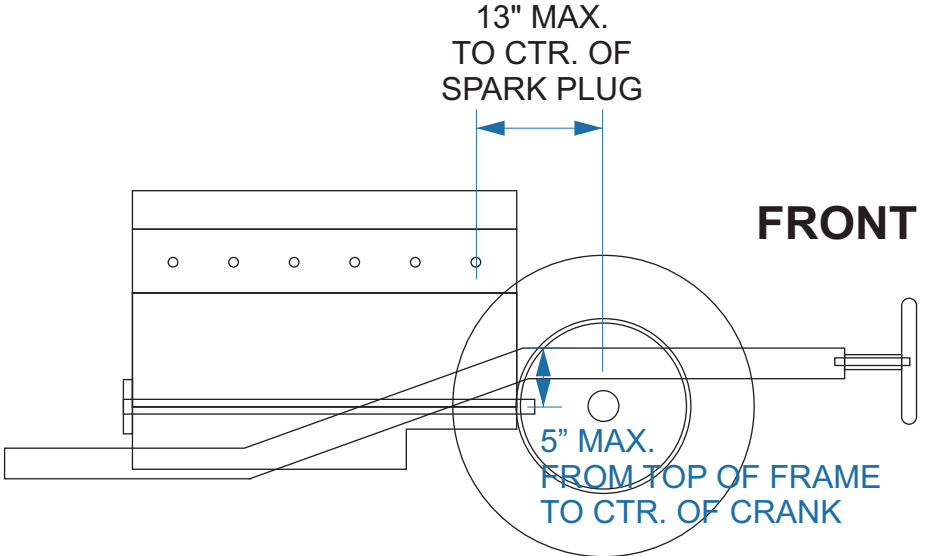
RIGHT FRAME

BACK



13" MAX.
TO CTR. OF
SPARK PLUG

FRONT



SIDE