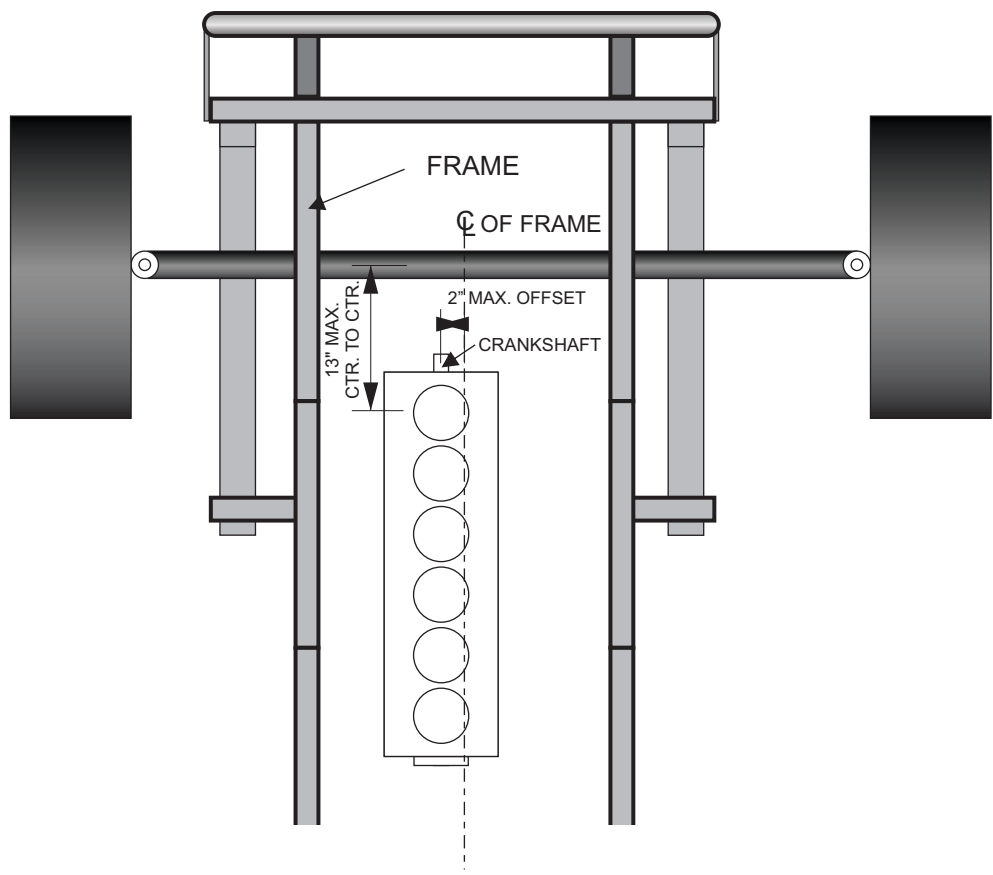


# 2018 ENGINE LOCATION RULES

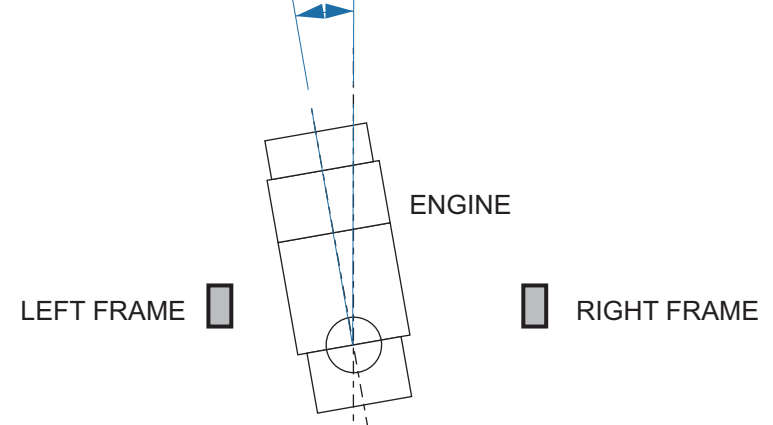


## VROA MODIFIEDS

FRONT

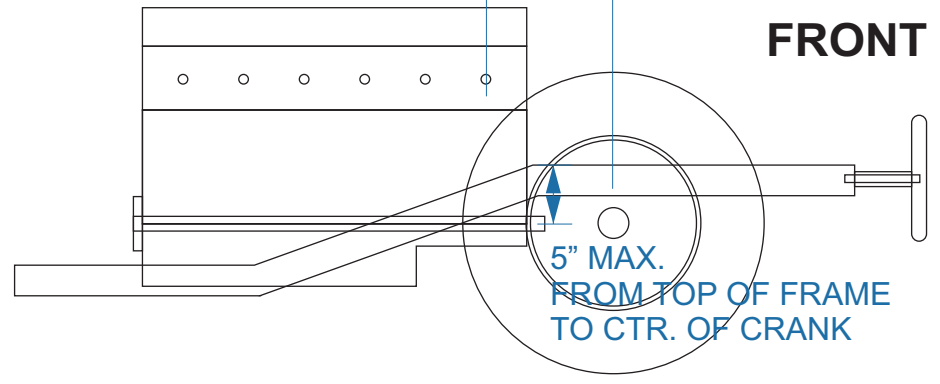


10 degrees MAX.



BACK

13" MAX. TO CTR. OF SPARK PLUG



SIDE